

SERVOBOX Planetary Reducers

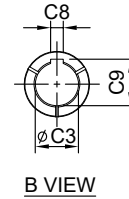
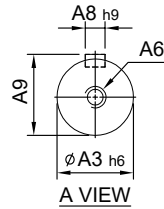
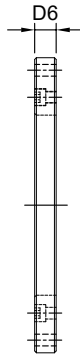
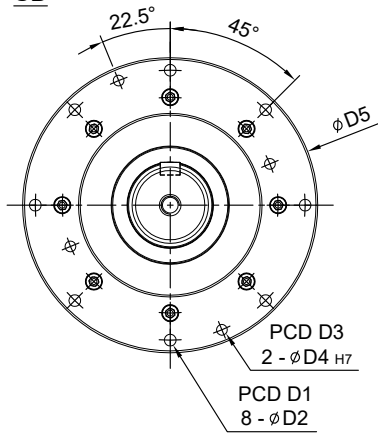
MODEL : SB SE

單段 1-Stage

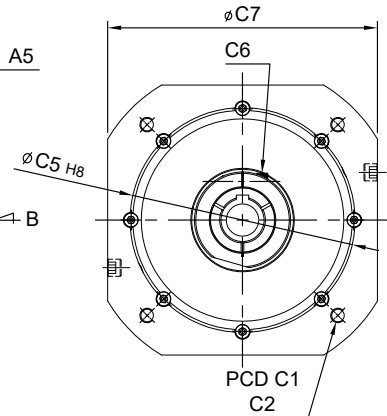
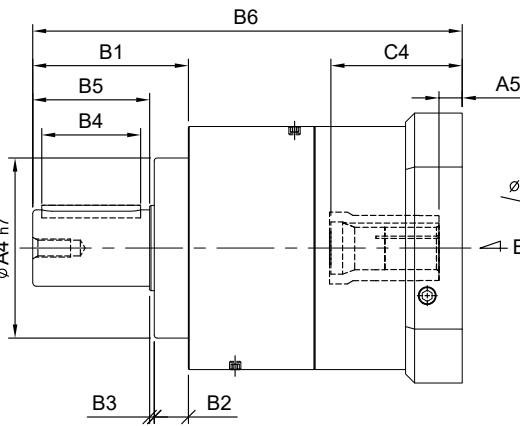
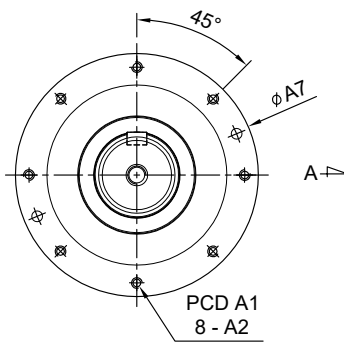
RATIO : 3, 4, 5, 7, 10



SB



SE

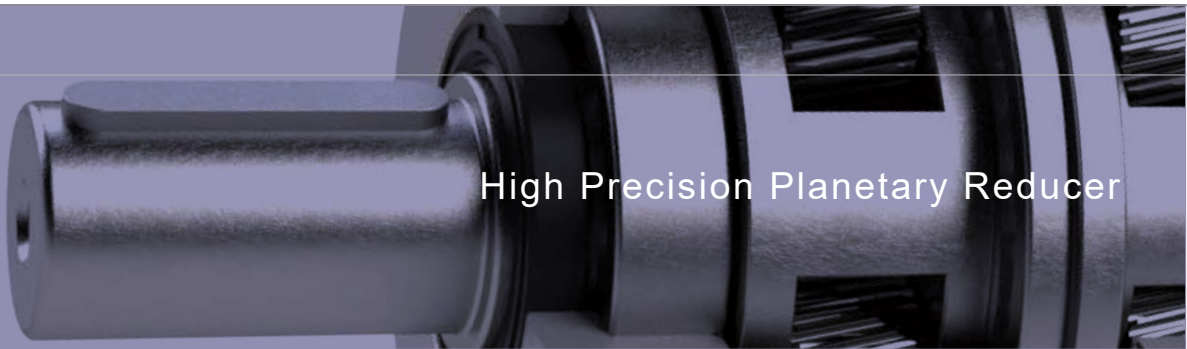


unit: mm

Model Code	270	330	
A	A1	240	300
	A2	M12 x P1.75	M16 x P2.0
	A3	85	100
	A4	200	250
	A5	23·26	23·26
	A6	M20 x P2.5	M24 x P3.0
	A7	270	336
	A8	22	28
	A9	90	106
	B	B1	173
B2		38	42
B3		5	5
B4		110	120
B5		130	140
B6		474.5·477.5	512·515

unit: mm

Model Code	270	330	
C	C1	265·300·350	265·300·350
	C2	M12·M16·M18	M12·M16·M18
	C3	48·55·60·65	55·60·65·75
	C4	143·146	143·146
	C5	230·250·300	230·250·300
	C6	M12 x P1.75	M12 x P1.75
	C7	280·300·330	280·300·330
	C8	14·16·18·20	16·18·20
	C9	51.8·59.3·64.4·74.8	59.3·64.4·69.4·80
D	D1	300	380
	D2	13	17
	D3	300	380
	D4	12	14
	D5	328	416
	D6	24	28



High Precision Planetary Reducer

規格 Parameter	代號	單位 Unit	速比 Ratio	270	330
額定輸出扭矩 Rated Output Torque (Nominal output torque)	T_{2N}	Nm	3	4,770	8,790
			4	4,730	8,730
			5	4,680	8,660
			7	4,570	8,520
			10	4,420	8,310
最大加速扭矩 Max. Acceleration Torque	T_{2B}	Nm	3 ~ 10	1.8 倍額定輸出力矩 1.8 Times of Rated Output Torque	
最大輸出扭矩 Max. Output Torque 急停扭矩 Emergency Stop Torque	T_{2NOT}	Nm	3 ~ 10	3 倍額定輸出力矩 3 Times of Rated Output Torque	
額定輸入轉速 Rated Input Speed	n_{1N}	rpm	3 ~ 10	2,000	2,000
最大輸入轉速 Max. Input Speed	n_{1B}	rpm	3 ~ 10	3,000	3,000
背隙 Backlash Ps		arcmin	3 ~ 10	≤ 1	≤ 1
背隙 Backlash P0		arcmin	3 ~ 10	≤ 3	≤ 3
背隙 Backlash P1		arcmin	3 ~ 10	≤ 5	≤ 5
背隙 Backlash P2		arcmin	3 ~ 10	≤ 7	≤ 7
扭轉剛性 Torsional Rigidity		Nm/arcmin	3 ~ 10	510	980
容許徑向力 Max. Radial Force	F_{2rB}	N	3 ~ 10	107,100	224,910
容許軸向力 Max. Axial Force	F_{2aB}	N	3 ~ 10	53,550	112,455
使用壽命 Service Life	L_H	hr	3 ~ 10	S5 周期運轉 : >30,000 (S1 連續運轉 : >15,000 hrs) S5 Cycle Operation: >30,000 (S1 Continuous Operation: >15,000 hrs)	
效率 Efficiency	η	%	3 ~ 10	≥ 97%	
使用溫度 Operating Temperature		°C	3 ~ 10	- 25° C ~ + 90° C	
潤滑 Lubrication			3 ~ 10	全合成潤滑油脂 Synthetic Grease	
防護等級 Protection Class			3 ~ 10	IP65	
安裝方向 Mounting Position			3 ~ 10	任意方向 Any	
噪音值 Noise Level		dB	3 ~ 10	≤ 72	≤ 74
重量 Weight ±3%		Kg	3 ~ 10	SB : 97 · SE : 87.5	SB : 190 · SE : 172

■ 轉動慣量 (kg.cm²) Mass Moments of Inertia

Ratio	270	330
3	122.20	252.96
4	111.46	230.72
5	109.20	226.05
7	104.49	216.29
10	103.65	214.55