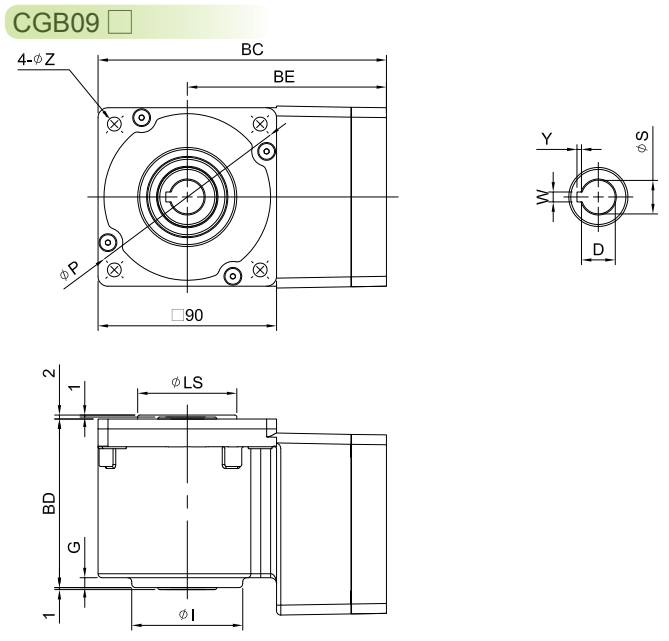
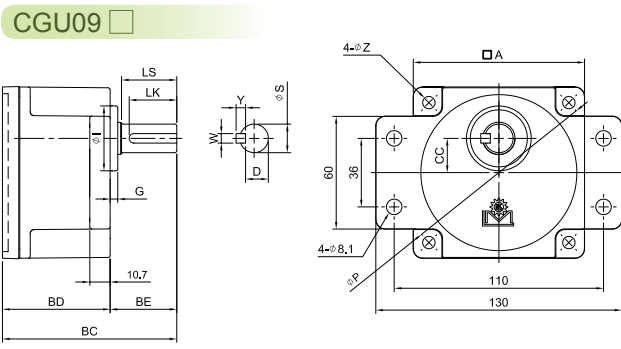
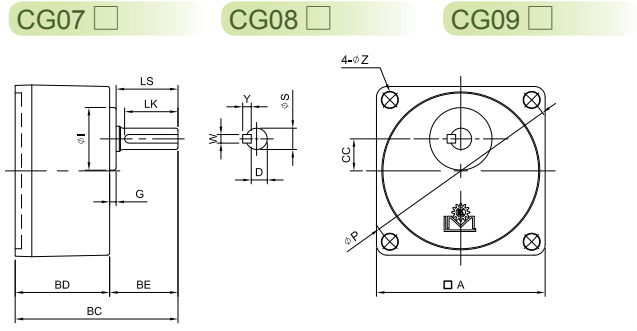
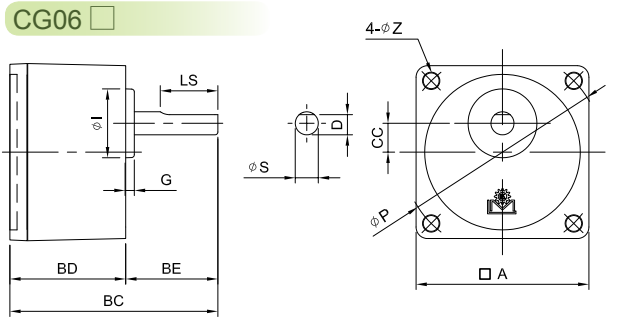


MODEL : CG



unit: mm

型號 Model	動力 Power	減速比 Ratio	A	CC	BC	BD	BE	I	G	P	Z	出力軸 Output Shaft				重量 Weight (kg)
												LS	S	D	WxYxLK	
06	6W	5~75 90~300	60	10	72.2 78.2	40.2 46.2	32	24	3	70	M4	20	8	7	-	0.34 0.39
07	15W	5~75 90~240	70	15	74 80	42 47	32	27	3	82	M5	29	10	7.5	4x4x25	0.52 0.58
08	25W	5~75 90~300	80	15	76.3 83.3	44.3 51.3	32	29	3	94	M5	29	10	7.5	4x4x25	0.66 0.81
09	40W~90W	5~75 90~240	90	18	91.6 100.6	56.6 65.6	35	36	4	104	M6	31	12 15	9.5 12	4x4x25 5x5x25	1.2 1.4
GU09	90W	5~75 90~240	90	18	91.6 100.6	56.6 65.6	35	34	4	104	M6	31	12 15	9.5 12	4x4x25 5x5x25	1.2 1.4
GB09	90W	9~180	90	18	145.4	85	100.4	56	5	104	M6	50	17 18	13.3 14.3	5x5x25 6x6x25	1.5